



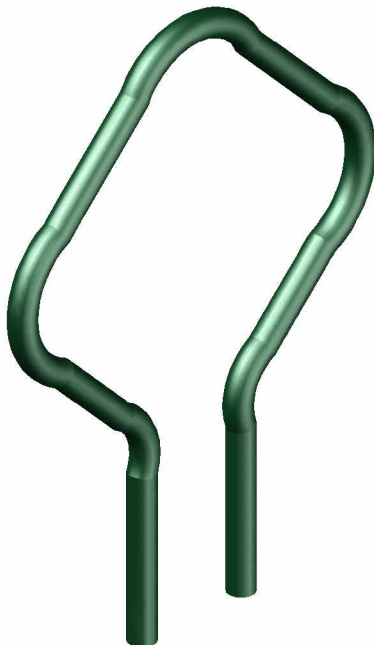
# BIKEFLARE-ING

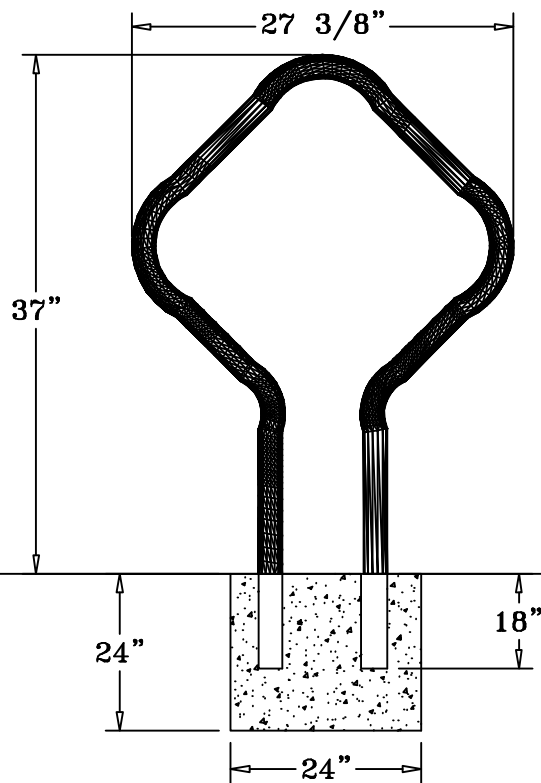
## FLARE STYLE BIKE RACK INGROUND MOUNT DESIGN

WEBCOAT PRODUCTS  
P.O. BOX 3160  
McALESTER, OKLAHOMA 74501  
1-800-505-5101  
FAX: (918)426-5924  
E-MAIL: WEBCOAT@WEBCOAT.COM

Please take the time to locate and identify each part. Assemble the units on a smooth flat surface. It is also helpful to lay the tops and seats on cardboard or a drop cloth to prevent scratching of the surface during assembly. All parts have been pre-cut and pre-drilled for ease of assembly. All holes are slotted to allow for easy assembly and for final levelling of tops and seats to frames. Fully assemble all parts without totally tightening nuts and bolts. After all assembled go back and retighten nuts to bolts. DO NOT OVER TIGHTEN NUTS TO BOLTS. Over tightened nuts can crack the plastisol coating. All the necessary quantities of parts required are listed in this assembly instructions.

DO NOT BEGIN ASSEMBLY UNTIL YOU HAVE READ THESE INSTRUCTIONS AND ARE FAMILIAR WITH THE PARTS.





## SPECIFICATIONS

27 3/8" TOTAL OVERALL WIDTH WITH A TOTAL OVERALL HEIGHT OF 37"  
INGROUND MOUNT DESIGN.

MADE OF 2 7/8" 12GAUGE GALVINIZED STEEL TUBING SURFACE MOUNT IS MADE OF 3/16" STEEL  
COATED WITH A THERMAL PLASTIC COATING TO PREVENT RUST AND SCRATCHES

NO ASSEMBLY REQUIRED

SURFACE MOUNTING HARDWARE IS NOT INCLUDED

ALL HARDWARE IS NON-CORROSIVE.

WEIGHT FOR THE BIKEFLARE-ING IS 22 LB.

## MAINTENANCE

To maintain luster it is recommended to wash, rinse, and dry the units after prolonged use.  
Check for loose bolts and nuts and tighten as needed. Contact the factory for genuine  
Webcoat part replacements if needed.