



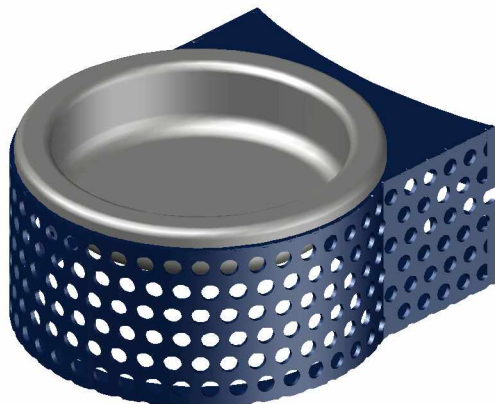
ASHATTACHPERF

PERFORATED STYLE ASH URN
ATTACHMENT FOR TR32PERF

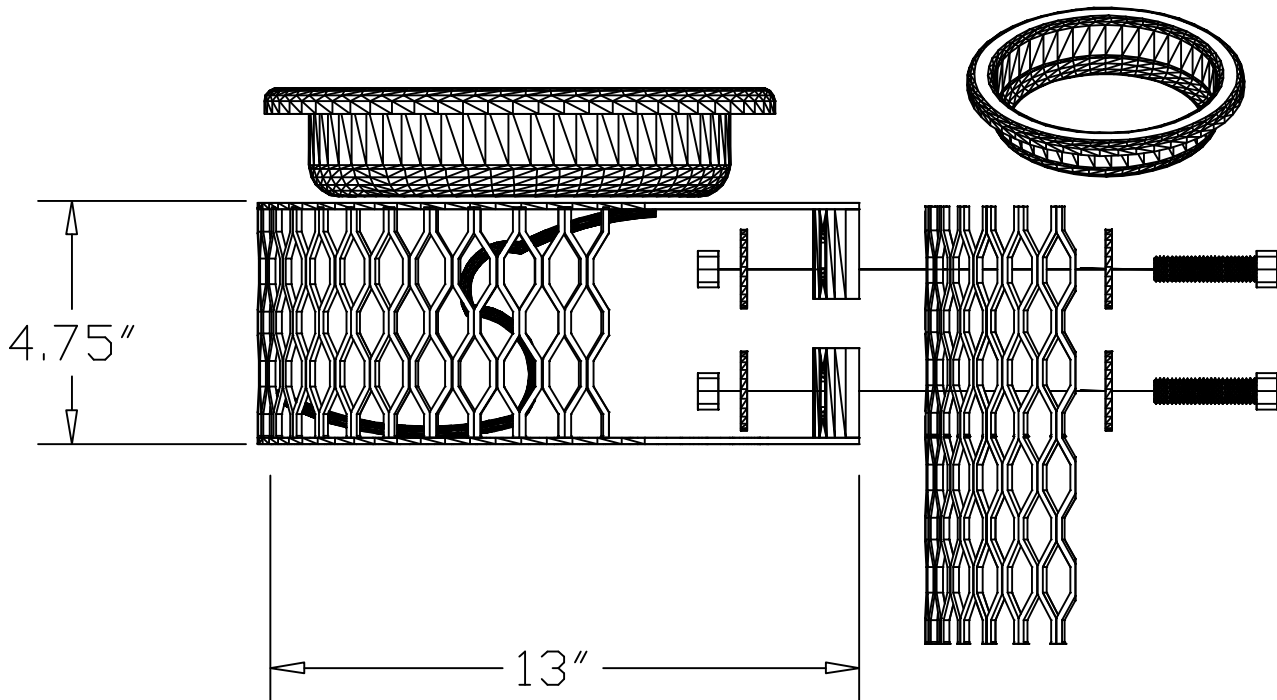
WEBCOAT PRODUCTS
P.O. BOX 3160
McALESTER, OKLAHOMA 74501
1-800-505-5101
FAX: (918)426-5924
E-MAIL: WEBCOAT@WEBCOAT.COM

Please take the time to locate and identify each part. Assemble the units on a smooth flat surface. It is also helpful to lay the tops and seats on cardboard or a drop cloth to prevent scratching of the surface during assembly. All parts have been pre-cut and pre-drilled for ease of assembly. All holes are slotted to allow for easy assembly and for final levelling of tops and seats to frames. Fully assemble all parts without totally tightening nuts and bolts. After all assembled go back and retighten nuts to bolts. DO NOT OVER TIGHTEN NUTS TO BOLTS. Over tightened nuts can crack the plastisol coating. All the necessary quantities of parts required are listed in this assembly instructions.

DO NOT BEGIN ASSEMBLY UNTIL YOU HAVE READ THESE INSTRUCTIONS AND ARE FAMILIAR WITH THE PARTS.



STEEL LINER



SPECIFICATIONS

13" X 4 3/4" POLY VINYL PUNCHED STEEL ASHURN WITH A CHROME PLATED STEEL PAN.

COATED WITH A 1/8" TO 1/4" THICK PLASTISOL ULTRAVIOLET STABILIZED VINYL COATING FUSED AND BAKED TO A 90% GLOSS.

TOTAL OVERALL DIMENSIONS ARE 13" X 4 3/4". APPROX.

ASHURN IS MADE FROM 11 GA. 1/2" HOLE PRECISION PUNCHED STEEL WITH 1/4" FLAT STEEL FOR THE TOP AND BOTTOM.

ON TOP IS A CHROME PLATED STEEL PAN SECURED WITH A CHAIN FOR EASE OF EMPTYING.

ALL HARDWARE IS NON-CORROSIVE.
WEIGHT FOR THE ASHATTACHPERF IS 10 LBS.

MAINTENANCE

To maintain luster it is recommended to wash, rinse, and dry the units after prolonged use. Check for loose bolts and nuts and tighten as needed. Contact the factory for genuine Webcoat part replacements if needed.